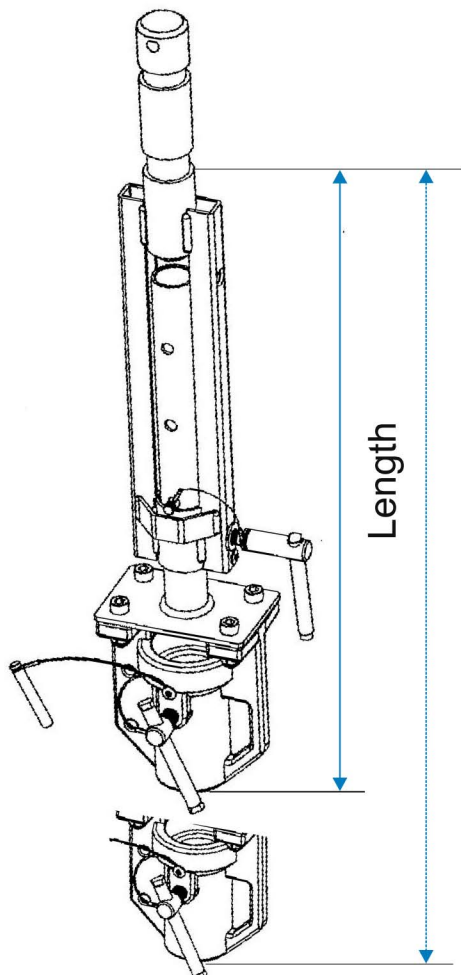


## DAV 40 - 100



Part No.  
302.040

**Payload max. 30 kg.**

Vertical drop arm of variable length for suspension of spotlights, audio and video equipment. Payload up to 30 kg.

Hangs by means of a DIN spigot ( $\varnothing$  28 mm). Load attachment by means of a DIN socket ( $\varnothing$  29 mm) with eye for safety cable (to DIN 15560 T46). DIN spigot is screwed to the drop arm. Desired length can be set in increments of 50 mm by means of a captive retaining pin (self-securing) and captive retaining screw. Steel guides and rod. Custom design upon request.

All versions are fully compliant with safety standards BGV C1 (former VBG 70) and DIN 15560 T46. Registered type-approval code: 034501.

### Technical Data

DAV 40	400 to 500 mm, 3 increments
DAV 70	700 to 1.100 mm, 9 increments
DAV 100	1.000 to 1.650 mm, 16 increments

Height increments 50 mm each  
Dead weight approx. 2.5 to 3.5 kg, depending on type  
Payload 30 kg max.

Subject to change without prior notice