

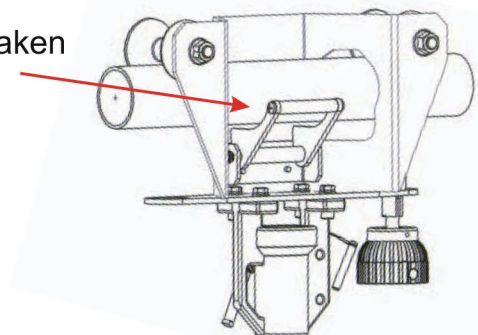
Tube trolley **LW - R 48**

Technical Data

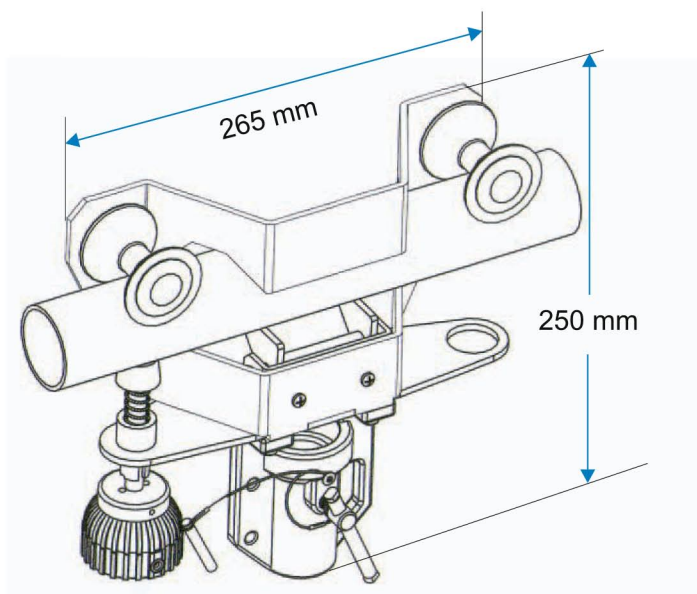
Trolley for tubes with a diameter from 48 to 50 mm.
Load attachment through DIN socket (Ø 29 mm) with eye for safety cable.
Equipped with a pole-operated brake on one side.
Eye for pulling on opposite side.



The trolley is secured on its tube and can only be taken off after the securing lock has been activated.



Payload up to 60 kg



Subject to change without prior notice