

Overgrid Monopoles

TLM 90 GM

Overgrid monopole for the precise positioning of spotlights and audio and video equipment. Vertical movement by means of an external motor with a 68 mm adapter (electric drill with torque limiter). Dynamically self-locking drive according to BVG C1. Fully modular design for easy adaptation to local requirements or customer requests.

Very short when folded completely.

Two bobby cable drums (left and right of the drive) ensure precise cable guidance and thus a very smooth movement of the monopole's tubes. The tubes are secured in place by wear and tear-free plastic guides that also prevent them from getting stuck.

Monopoles by MTS are famous for their extremely small radial deviation of less than $\pm 2^\circ$. Load attachment through DIN socket ($\varnothing 29$ mm).

Fully compliant with safety standards BGV C1 (former VBG 70) and DIN 15560 T46.

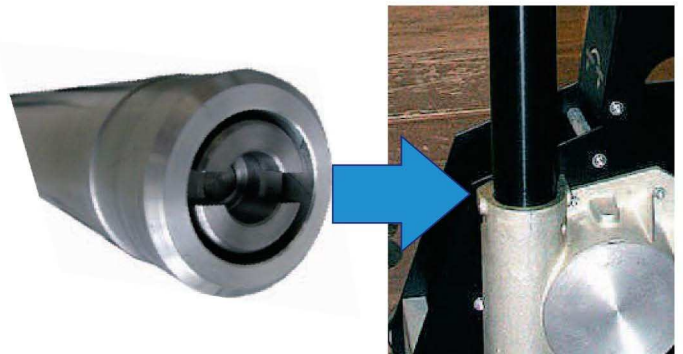
Payload 60 kg



Max. Extension 10 m



External motor with mechanically locking connector

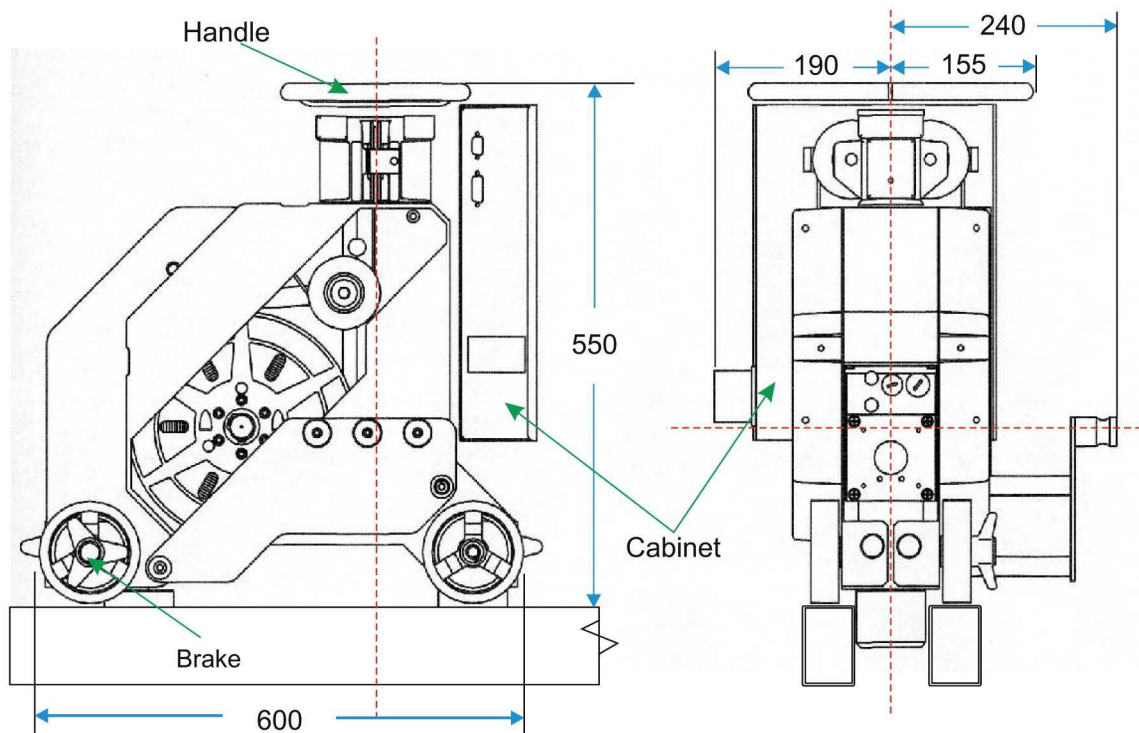


Subject to change without prior notice

Technical Data

payload	max. 60 kg
two supporting cables	Ø 2,8 mm diameter
tube material	AlMgSi 0,5/F22
hardness	HB 2,5/62,5
footprint of external tube:	120 x 68 mm
radial deviation	< ±2°
lifting speed approx.	135mm/s
maximum extension:	10.0 m
dead weight:	approx. 50 kg
lifting noise approx.	48 dB(A)
motor	3 x 230/400 V, 50 Hz, 0,4 kVA
motor protected against thermal overload	
duty cycle	0,2
motor's protection class	IP 54
torque	88 Nm

Dynamically self-locking drive
 Self-lubricating (-30 °C to +150 °C)
 Cable-break and slack-cable detectors on each supporting cable
 Overload detection with load factor 1.2
 Detectors for the end of the upper and lower operating range
 Emergency switches for the end of the upper and lower maximum range
 Adjustable slopes for soft-start and stop
 Should a collision occur, monopole will move 60 mm in opposite direction
 Standard spirally-turned cable: 3 x 2,5 mm², 7 x 0,75 mm², 4 x 0,34 mm²
 Load attachment through DIN socket (Ø 29 mm)
 Eye for safety cable
 UP and DOWN push-buttons mounted on monopole



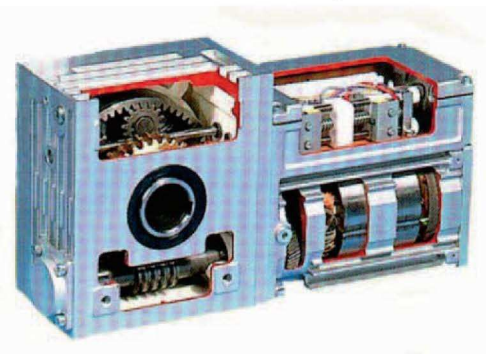
Control cabinet



Adjusting screws for the operating range and maximum range detectors



back geared motor



Subject to change without prior notice