

POH 450

This pole-operated lighting hoist allows for a safe, low-cost but still flexible use of your lighting fixtures and is ideally suited for smaller TV, video or photo studios.

Up to three lampheads can be attached to the three DIN spigots provided. The positions of the spigots may be moved; 16 mm spigots or sockets can be mounted optionally. The hoist can be screwed to the steel structure of the ceiling. Alternatively, clamps can be used. The four cable drums are firmly coupled to the drive and host two supporting cables on each side (2 mm diameter). The maintenance-free drive is dynamically self-locking and is operated by an aluminium die-cast pole. After the maximum lift height has been reached, a maintenance-free brake will block the cable drums and thus prevent further extension.

The hoist is equipped with three independent power channels (16 A each). The electric connection between the terminal box, mounted on the hoist's base, and the three power outlets below is made by a folding flat cable. Two cable guides ensure that the cable folds automatically and space-saving, as soon as the hoist is moved upwards.

Below, standard power outlets are Schuko; any other outlet is optional.

The balancing of the cable lengths is integrated below and can be monitored through a window.



Payload 30 kg

fully compliant with DIN 15560 T46

Two dimmed outlets
one mains outlet



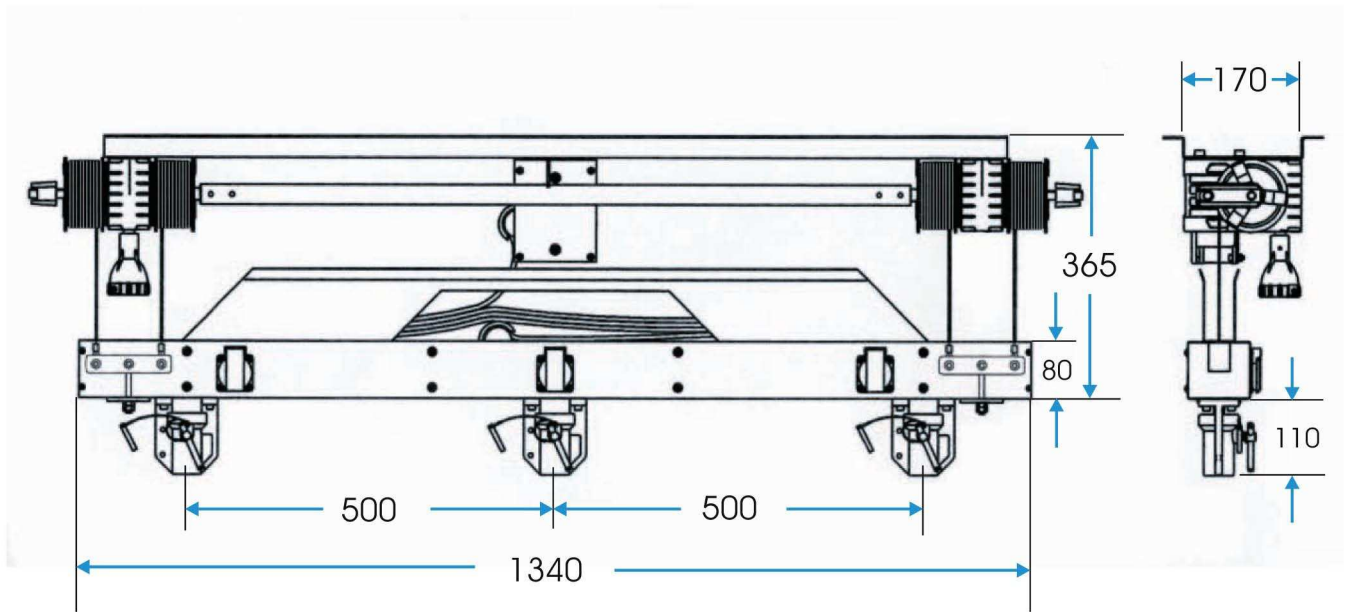
Integrated balancing
of cable lengths



Subject to change without prior notice

Pole-operated Hoist

DIN 15560 T46



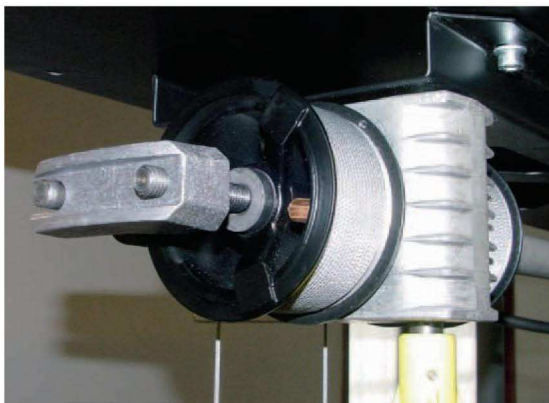
Also suitable for theaters
and photo studios



Technical Data

length when folded completely: 365 mm
maximum lift height: 4.5 m
payload 30 kg
two supporting cables on each side (2 mm diameter)
dynamically self-locking drive
drive transmission: 1:20
load attachment: 3 x DIN socket 29 mm (16 mm optionally)
power cable: 9 x 2,5 mm², flat cable
Power outlets below: 3 x 16 A (Schuko, CEE 17 optionally)
dead weight: approx. 35 kg
brake on cable drum limits lift height
pole-operated
Fastening: brackets or clamps
Colour: black
Options: integrated dimmers; DMX

Brake on cable drum



Drive with operating pole



Subject to change without prior notice