

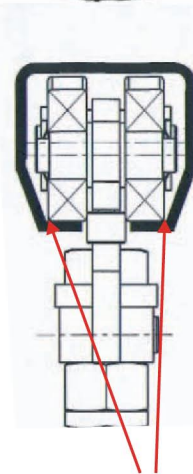
## Trolley for H 300 rail systems

### Technical Data

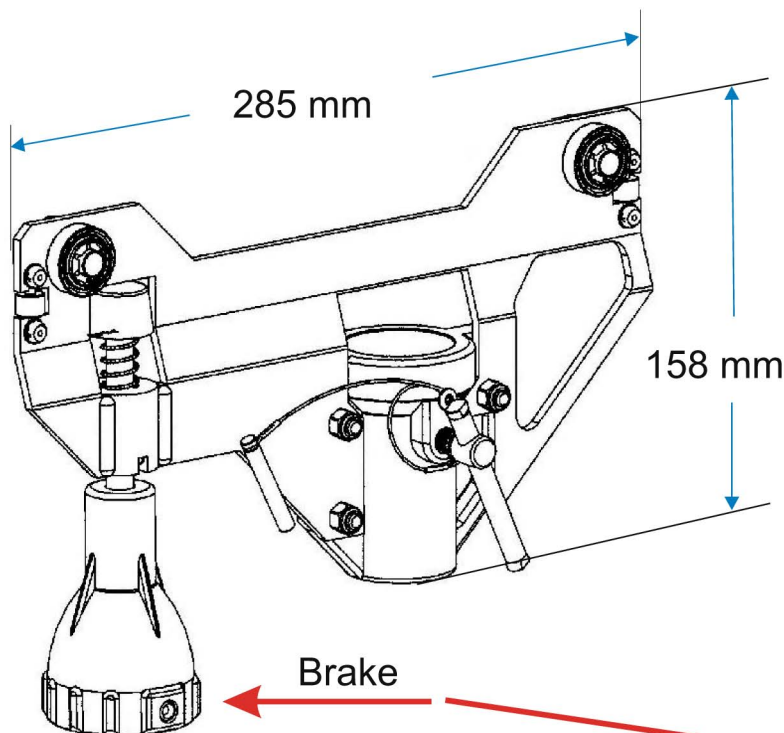
Trolley for rail systems of the 'Helm 300' type.  
Load attachment through DIN socket (Ø 29 mm) with eye for safety cable.  
Equipped with a pole-operated brake on one side.  
Eye for pulling on opposite side.



Part No 315.530 PO



Precise guidance  
of the supporting wheels



Payload up to 60 kg



Subject to change without prior notice